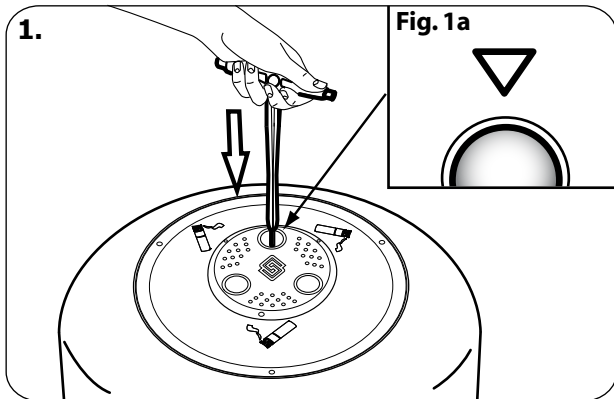


GLASDON JUBILEE ASHTRAY OPERATION INSTRUCTIONS

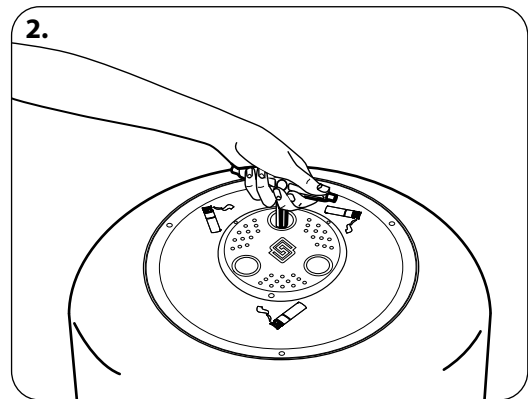
NOTE: Ensure that all relevant personnel read the points listed within this leaflet and that a copy is given to staff involved with the operation and maintenance of this product.

EMPTYING SEQUENCE

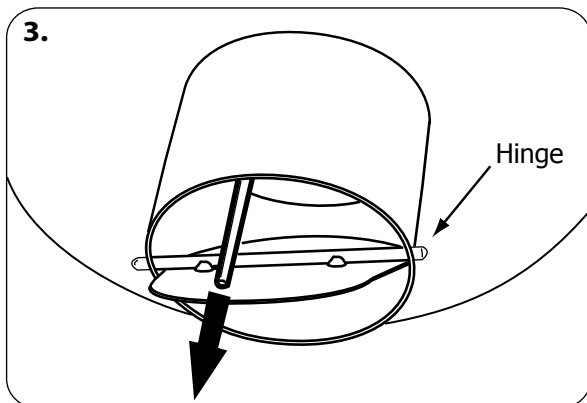
The ashtray must only be emptied when the liner of the bin is also being emptied for collection.



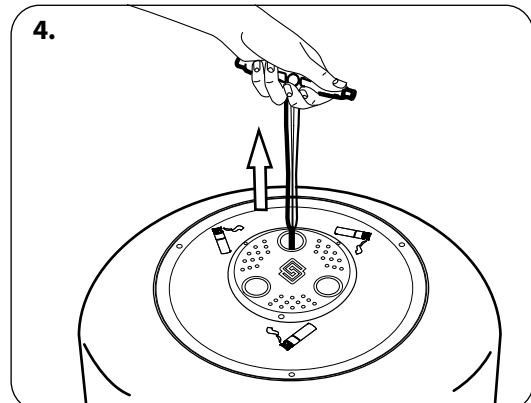
To empty the ashtray the plunger must be inserted into the rear hole marked with an arrow (see Fig. 1a).



Push the plunger down through the aperture.



The plunger will push the trapdoor open to empty the ashtray's contents into the main liner of the litter bin.



Pull the plunger upwards to allow the ashtray trapdoor to close automatically.




IMPORTANT SAFETY NOTE:
FOR SAFE OPERATION ENSURE ASHTRAY BASE FLAP IS FREE FROM DEBRIS AND FULLY CLOSED AFTER EMPTYING



CLEANING

To ensure smooth operation the undercarriage of the ashtray should be cleaned regularly, particularly around the hinge, to ensure that no ash or grime hinders the mechanism.

We recommend a soft brush and water with mild detergent.

 **Glasdon** IS A TRADEMARK OF GLASDON GROUP AND ITS SUBSIDIARIES IN THE U.K. AND OTHER COUNTRIES.

A planned maintenance schedule of regular inspection is recommended, replacing components as necessary.

Replacement components are available direct from GLASDON.

GLASDON cannot be held responsible for claims arising from incorrect installation, unauthorised modifications or misuse of the product.

Issue 1 June 2009 C000/0346

© Copyright 2009

Glasdon U.K. Ltd reserve the right to alter specifications without prior notice.

 **Glasdon**

Glasdon U.K. Limited
 Preston New Road
 BLACKPOOL

Lancashire FY4 4UL

Tel: 01253 600410

Fax: 01253 792558

E-mail: sales@glasdon-uk.co.uk

Web: www.glasdon.com